



Bobcat[®]

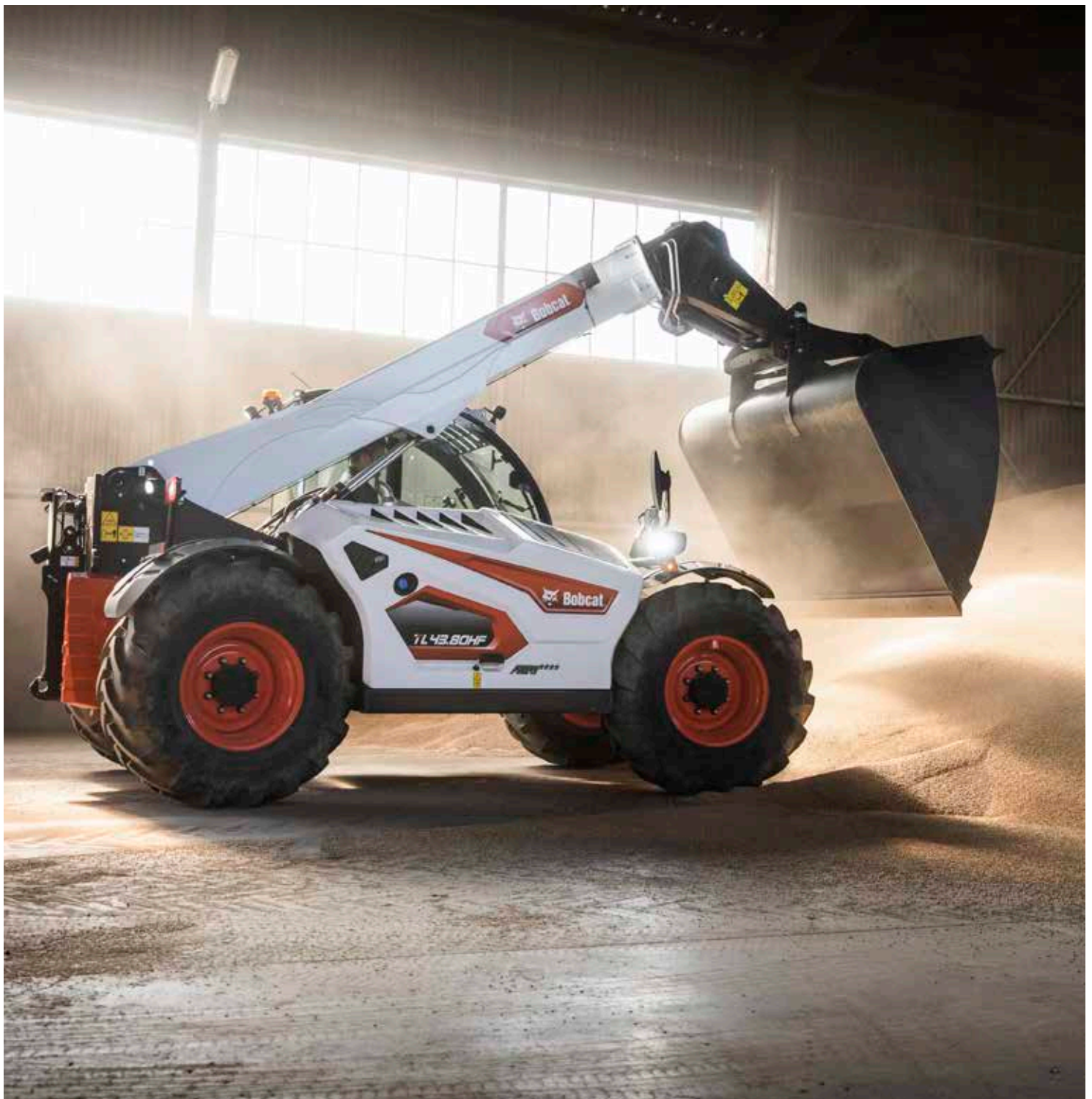
One Tough Animal.

AGRICULTURAL RANGE

TELEHANDLERS

TL series

🌐 Europe



INTRODUCTION

ONE TOUGH ANIMAL



BOBCAT'S HISTORY

In 1958, Melroe Manufacturing Company introduced a compact front-end loader that evolved quickly into the M400, the world's first true skid steer loader. The company soon adopted what became the world-famous 'Bobcat' brand – and its success paved the way for the global compact equipment industry we know today.

CENTER OF EXCELLENCE IN PONTCHÂTEAU, FRANCE

All Bobcat telescopic loaders are designed and produced at our Center of Excellence, an ISO 9001 certified factory that applies outstanding quality standards.



BOBCAT TODAY

With more than 60 years of experience in creating material handling machines, Bobcat's new R-Series machines bring a range of smart functions and advanced ergonomics, boosting the operator's comfort and productivity.



OUR MISSION

We empower operators to accomplish more, while working in the toughest conditions and tightest situations. When our customers have the will, we provide the way.

PRODUCTIVITY MEETS SUPERIOR COMFORT

MEET YOUR NEW WORKMATE

Treat yourself to a superior machine that combines all-day comfort, superior productivity and dependability, intelligent features, and a robust build with intuitive operation and excellent all-round ergonomics.



Smart boom functions*:

- Automatic suspension
- Floating mode
- Automated movements
- All Speeds adjustment
- Lifting height limit

Self-cleaning of cooling system thanks to the automatic reverse fan

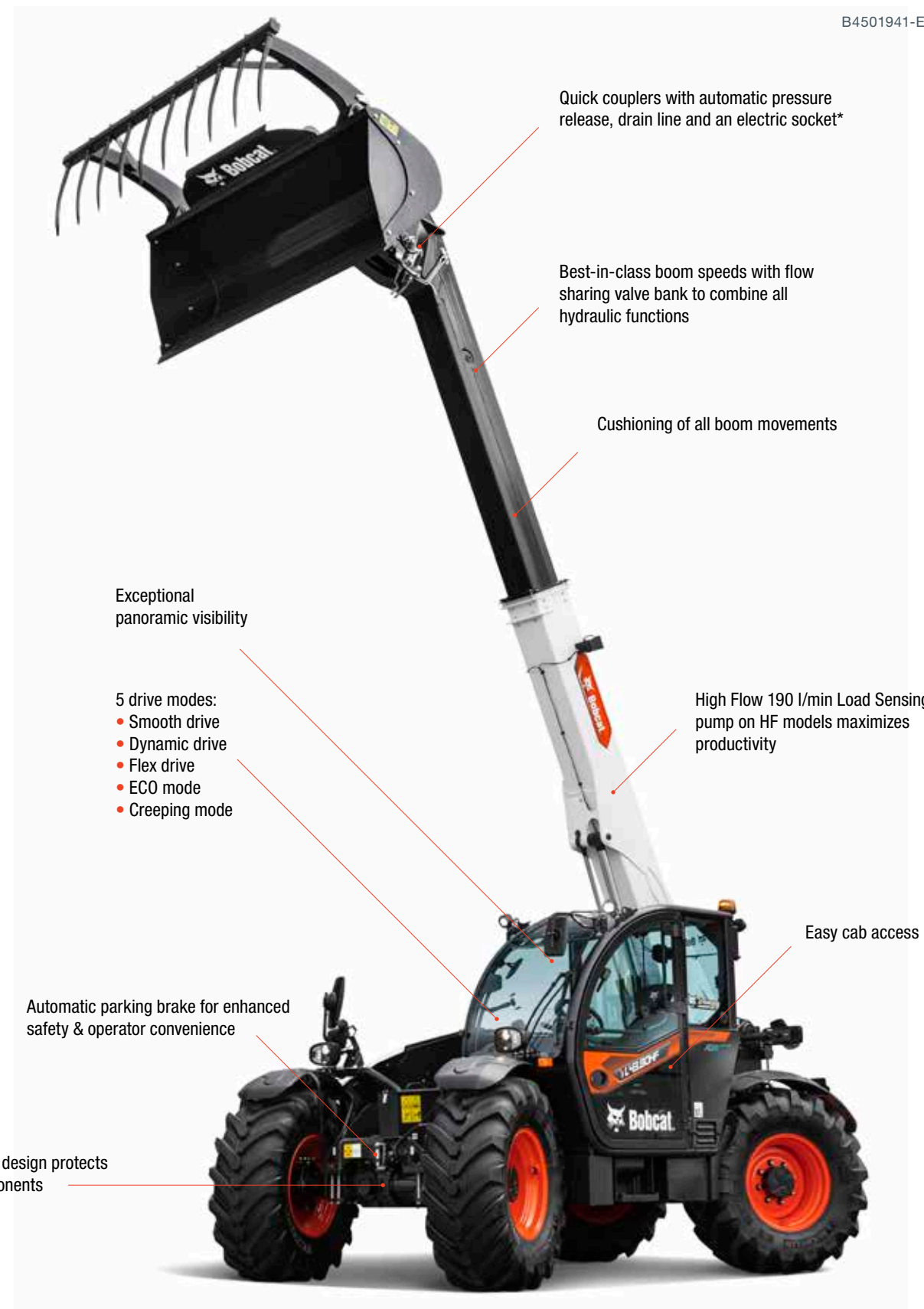
Stage V Bobcat engine with up to 135 hp and 500 Nm torque

Class-leading breakout force up to 7 tonnes

Quick and easy cleaning windows, mirror de-icing and windshield demisting

4 steering modes*:
2-wheel steer, 4-wheel steer, Crab steer, Semi-crab steer.

Oil immersed axles with Limited Slip Differential



Quick couplers with automatic pressure release, drain line and an electric socket*

Best-in-class boom speeds with flow sharing valve bank to combine all hydraulic functions

Cushioning of all boom movements

Exceptional panoramic visibility

5 drive modes:

- Smooth drive
- Dynamic drive
- Flex drive
- ECO mode
- Creeping mode

High Flow 190 l/min Load Sensing pump on HF models maximizes productivity

Automatic parking brake for enhanced safety & operator convenience

Easy cab access

Shielded design protects all components

*according to AGRI pack version



PREMIUM WORKSPACE
All-new, roomy cab with loads of comfort features, including a seat with dynamic suspension and heated/cooled storage compartments.
P.7



INTUITIVE & SMOOTH OPERATION
Thanks to the intelligent cab layout, color-coded control elements, and an all-in-one joystick with improved ergonomics.
P.7



EFFICIENCY AND PRODUCTIVITY
Best-in-class boom speeds and a range of smart features allow you to work faster and grow your business.
P.8



STABLE BY NATURE
You can handle heavy loads at height easily and safely, as the machine hugs the ground.
P.8



This image shows the interior of Large models.

FIRST-CLASS USER EXPERIENCE



▶ 360° VISIBILITY

Get a full view of the job site thanks to a fully glazed cab, thin roof grid, sloped hood and low dashboard. Up to 8 LED work lights memorize their last configuration, while electric mirror is equipped with de-icing function.



▶ ALL-IN-ONE SMART JOYSTICK

Mounted on the seat armrest (available on Large models), controlling the boom, machine's speed and direction, shaking the bucket, floating attachments, and operating Auto Grab function.



▶ INTUITIVE & SMOOTH OPERATION

Controls are in easy reach, and their intuitive layout and color-coding allow you to find everything quickly. Individual elements are backlit and use the same color-coding, preserving their appearance in the dark.

▶ INTERACTIVE DISPLAY

Streamlined information is available with an interactive 7-inch touch screen with built-in radio and a phone page. For increased safety and easier manoeuvring, the feed from the rear camera is displayed when reversing.



▶ QUICK CLEANING FUNCTION

Clean all windows within seconds. All wipers and washers are activated by pushing one button.



▶ EASY CAB ACCESS

Getting in and out of the new cab is very convenient, thanks to the wide door opening, a single notched step, numerous handles, and unobstructed access to the new Grammer Maximo air seat.

DESIGNED FOR FARMING

SMARTER AND FASTER



▀ INCREASED EFFICIENCY AND PRODUCTIVITY

The best-in-class boom speeds, the powerful transmission and automated boom movements, allow operators to complete their work more efficiently and in less time.

▀ CONFIDENCE-INSPIRING STABILITY

Handle heavy loads at any height easily and safely, thanks to the well-balanced construction, low center of gravity, heavy counterweight, and long wheelbase.

▀ AUTOMATED BOOM FUNCTIONS

Bucket shaking

Position of the joystick determines the type of bucket shaking:

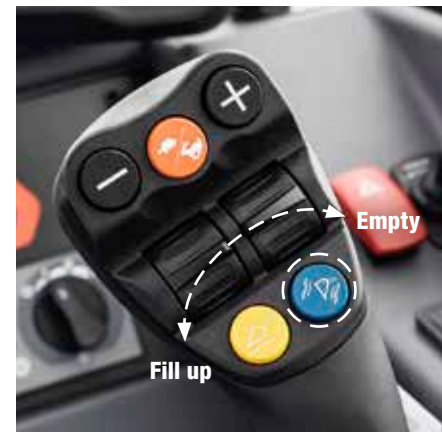
- neutral: shaking gradually empties the bucket
- left: crowding better distributes the material in the bucket
- right: dumping removes sticky material from the bucket

Max Lift angle

Prevent collisions in low ceiling buildings by setting the maximum boom angle.

Return to ground

Set the angle of the retracted boom. As the boom is lowered, it self-retracts and stops in the set position, avoiding damage to the attachment or the ground.



▀ SMOOTH & DYNAMIC DRIVE

To fully exploit the high productivity of Bobcat R-Series telescopic loaders, the operator can quickly shift from Smooth drive to Dynamic drive where more rapid machine performance is required, with faster forward and backward shifting and more rapid acceleration and deceleration phases.

▀ FLEX DRIVE

The Flex drive mode uses the hand throttle to bring a new dimension to driving by managing the forward speed independently from the engine speed. You achieve a whole new level of efficiency and precision!



BUILT TO LAST

▶ EVERYDAY TOUGHNESS

A machine you can depend on all day, every day – with a robust boom and Bobcat loaders' signature box-welded frame design with shielded bottom plate to protect all vital components.

▶ RIGOROUS QUALITY INSPECTION

Each machine produced goes through rigorous and extensive testing, including: regulatory checks, performance compliance, quality inspections and all machine functionalities.



▶ MACHINE IQ

BOBCAT® Machine IQ Wireless Communications enhances the support for your Bobcat machine.

- Durable built-in monitoring electronics
- Data are available to our machine monitoring specialist
- Maintenance is optimized for your business
- Data-driven services maximize uptime

THERE'S NO TIME FOR DOWNTIME. STAND UP TO THE HARSHTEST CONDITIONS. DAY AFTER DAY.



Shielded bottom plate

3 YEAR WARRANTY

▶ STANDARD 3-YEAR MANUFACTURER WARRANTY

The level of excellence achieved on Bobcat Telescopic Loaders leads Bobcat company to offer a 3-year standard warranty (or 3000 hours, whichever occurs first).



▶ PROTECTION PLUS EXTENDED WARRANTY

Enjoy total peace of mind with a Protection Plus® extended warranty. Providing the same level of protection as the standard warranty, Protection Plus also reflects different customer needs and expectations by offering a choice of durations and annual operating hours. According to your needs, you can benefit from the coverage for up to 5 years or 6000 engine hours. And Protection Plus is transferrable – so it will likely increase your machine's resale value.



▶ BOBCARE

A long-running machine starts with proper planned maintenance. Which also helps protect against repair costs and unplanned failures when you're counting on your machine to work.

- Avoid risk by preventing major repairs and complete failures.
- Accomplish more by reducing downtime and increasing your productivity and profitability.

CHOOSE YOUR ANIMAL

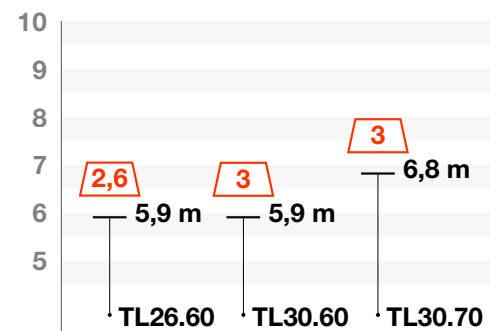
COMPACT



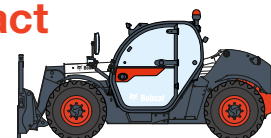
▶ POWERFUL COMPACTNESS

Best performance in confined areas:

- Narrow frame of 2.1 m
- Lifting performance up to 3 tons and 6.8 m
- Overall machine height can range from 2 140 mm to 2 375 mm by combining a Low/High mounted cab with 20"/24" tires.



Compact



— Max lift height (m)
 □ Max rated capacity (t)

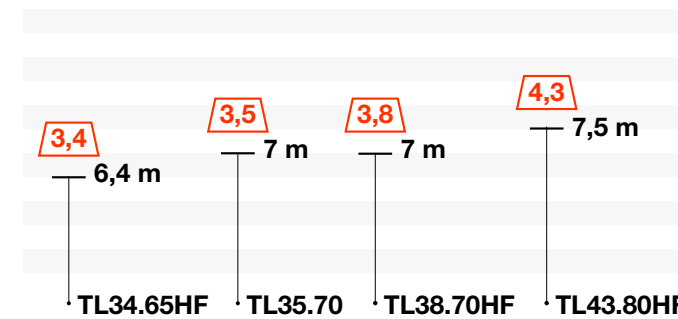
LARGE



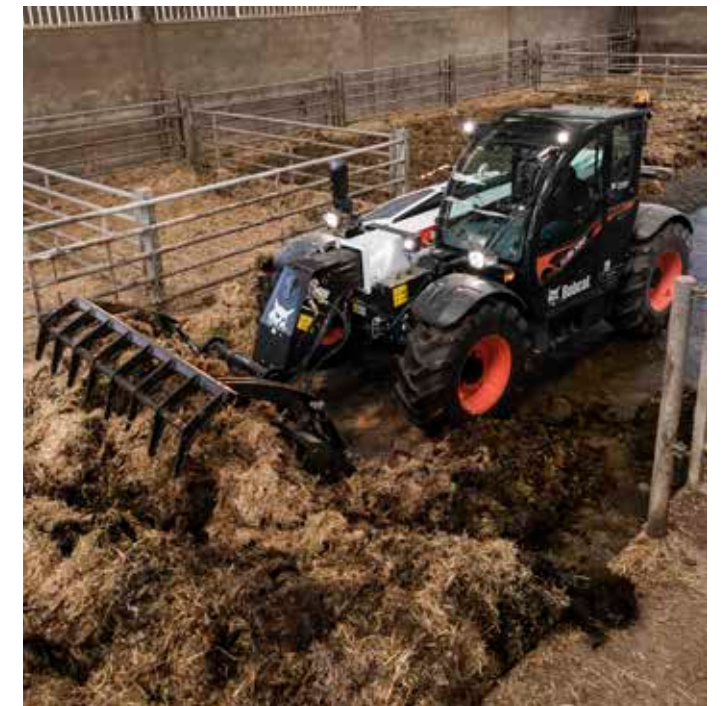
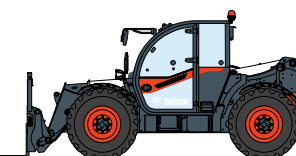
▶ PRODUCTIVITY BEASTS

Designed for heavy-duty jobs without compromise on efficiency:

- 190 l/min High Flow technology
- Lifting performance up to 4.3 tons and 7.5 m



Large



AGRI PACKS

AGRI PACKS				
AGRI	★	★★	★★★	★★★★
PERFORMANCE				
C&L Quicktach tool carrier with manual attachment lock	✓	✓	-	-
C&L Quicktach tool carrier with hydraulic attachment lock	•	•	✓	✓
C&L Front auxiliary hydraulic quick couplers with integrated pressure-release system	✓	✓	✓	✓
C&L Boom wiring harness and controls in cab	•	✓	✓	✓
C&L Auto Boom suspension	•	✓	✓	✓
C&L Boom float	•	•	✓	✓
C&L Bucket shaking	•	•	✓	✓
C&L ECO mode	✓	✓	✓	✓
C&L Inching function combined with brake pedal	✓	✓	✓	✓
C&L Creeping	✓	✓	✓	✓
C&L Auxiliary hydraulic flow adjustment	✓	✓	✓	✓
C&L Permanent hydraulic flow	✓	✓	✓	✓
C&L Boom speed adjustment (Smart handling system)	✓	✓	✓	✓
C&L Auto fan inverter with cycle time setting	✓	✓	✓	✓
C&L Built-in air cyclonic prefilter with dust evacuation	✓	✓	✓	✓
C&L Limited slip differential on front axle	✓	✓	✓	✓
C&L Boom cushion on boom retraction and boom lifting (min & max angles)	✓	✓	✓	✓
CAB				
C Air suspension seat	✓	✓	✓	✓
L Air suspension seat	✓	-	-	-
L Grammer air suspension seat with heating and left armrest	•	✓	-	-
L Grammer air suspension seat with heating, left armrest and right armrest with joystick	•	•	✓	✓
L Lunch box (heated and refrigerated if air conditioning equipped)	•	•	✓	✓
C&L Front and rear wipers with washer	✓	✓	✓	✓
C&L Roof window wiper with washer	✓	✓	✓	✓
L Lateral window wiper with washer	•	•	•	✓
C&L Quick cleaning of all windows	✓	✓	✓	✓
C&L Electric mirror with de-icing on right-hand side	•	•	•	✓
C&L Standard joystick with proportional controls and forward/reverse drive	✓	✓	-	-
C&L Smart joystick with proportional controls, FWD/REV drive, bucket shaking and boom float pre-arrangement	•	•	✓	✓
C&L Forward/reverse drive lever on steering wheel	•	✓	✓	✓
C&L Standard 5" display with radio ready & loudspeakers	✓	-	-	-
C&L Standard 5" display with Bluetooth radio, microphone & loudspeakers	•	✓	-	-
C&L 7" touch display (Bluetooth built-in radio with microphone, phone page, Job Manager & Auto Grab)	•	•	✓	✓
C&L USB plug (mobile charging)	✓	✓	✓	✓
C&L Rear video camera	•	•	•	✓
C&L Hand throttle & flex drive	•	•	✓	✓
C&L Air conditioning (HVAC)	•	✓	✓	✓
C&L Cab+ (phone holder, sun visor, foamed arm rest, telescopic & tilting steering column, PVC document holder)	✓	-	-	-
C&L Cab+ AGRI ("Cab+" + Deluxe steering wheel, keychain, telescopic & tilting steering column, Tractor 3-pin socket, 4 steering modes, work lights keypad, smart keypad with return to ground, max Lift angle)	•	✓	✓	✓

AGRI PACKS				
AGRI	★	★★	★★★	★★★★
LIGHTS				
C&L 4 halogen work lights	✓	-	-	-
C&L 6 halogen work lights	•	✓	-	-
C&L 6 LED work lights	•	•	✓	✓
C&L Extra 2 LED work lights on the right mirror bracket	•	•	•	✓
C&L Halogen road lights & Beacon	✓	✓	✓	-
C&L LED road pack (road lights + rotating beacon + reversing light)	•	•	•	✓
C&L Blue lights for henhouses	•	•	•	•
SAFETY				
C&L Aggravating Movement Arrester compliant with EN15000	✓	✓	✓	✓
C&L ROPS / FOPS level 2 cab with tinted glass	✓	✓	✓	✓
C&L Front tow hitch	✓	✓	✓	✓
C&L Automatic parking brake	✓	✓	✓	✓
C&L Back-up alarm	✓	-	-	-
C&L White noise back-up alarm	•	✓	✓	✓
C&L Boom stop	✓	✓	✓	✓
C&L Fire extinguisher	•	•	•	•
TIRES, TRAVEL & TOWING				
C Alliance 400/70 R20 A580 steel-belted radial tires	✓	✓	✓	✓
C Alliance 405/70 R24 A580 steel-belted radial tires	•	•	•	•
C Michelin 400/70 R24 XMCL steel-belted radial tires	•	•	•	•
L European tractor homologation	✓	✓	✓	✓
L Alliance 460/70 R24 A580 steel-belted radial tires	✓	✓	✓	✓
L Michelin 460 & 500/70 R24 XMCL or BIBLOAD steel-belted radial tires	•	•	•	•
C&L Support for registration plate	✓	✓	✓	✓
C&L Rear mirror on tow hitch	•	✓	✓	✓
C&L Rear auxiliary hydraulic line (double action)	•	•	•	✓
C&L 30 km/h speed (with 24" tires) (except TL43.80HF)	✓	-	-	-
C&L 40 km/h speed (with 24" tires)	•	✓	✓	✓
C&L Rotating tow hitch (including rear electric socket)	✓	✓	✓	✓
C&L Rotating tow hitch with height adjustment (including rear electric socket)	•	•	•	•
C&L Hydraulic pick-up tow hitch (including rear electric socket)	•	•	•	•
C&L Trailer brake	•	•	•	•
MISCELLANEOUS				
C&L Machine IQ (Telematic)	✓	✓	✓	✓
C&L Anti-theft ignition system	✓	✓	✓	✓
C&L Electronic Battery Disconnection (EBD)	✓	✓	✓	✓
C&L Tool box	•	•	✓	✓
C&L Dust protection on Boom	•	•	•	✓
C&L Lockable fuel and AdBlue caps	•	•	•	•
C&L Protective zinc coat	•	•	•	•
C&L Protective grill for windshield (front and roof)	•	•	•	•
C&L Wheel wedge	•	•	•	•
C&L Custom color	•	•	•	•
C&L Attachment tool carrier with specific design	•	•	•	•

AGRI PACKS

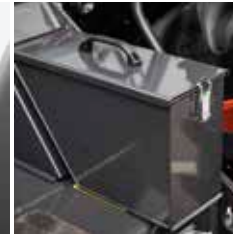
Bobcat telescopic loaders are available in four AGRI finishing levels. If you want to add a specific functionality, choose from a list of comprehensive options and customize your telescopic loader to your heart's content!



Side window wiper



Feather-touch shuttle lever (FNR)



Steel tool box (20 l)



Adjustable sun visor



Dust protection



Extra LED work lights and electric mirror with de-icing



Boom suspension (Nitrogen accumulator)



Hand throttle & Flex drive



Tractor socket (12 V, 15 A)



Rear camera



Rear mirror



Built-in electric socket (2 lines)



Hydraulic attachment locking using a dedicated auxiliary line



LED road pack:
• road lights
• rotating beacon
• reversing light



Anti-lock braking system (ABS) trailer socket, double-acting rear hydraulic auxiliary outlets and hydraulic trailer brake



5" display with Bluetooth radio, microphone & loudspeakers



7" touch display with built-in Bluetooth radio, microphone, loudspeakers, phone page and Job Manager



Smart joystick with Boom float and bucket shaking



Special lunchbox with heating and cooling functions, made to fit a 1.5 l bottle & snacks

• = option
✓ = standard

C = Compact models: **TL26.60, TL30.60, TL30.70**
L = Large models: **TL35.70, TL34.65HF, TL38.70HF, TL43.80HF**



Grammer Maximo Air suspended seat with heating, Dynamic Dumping System (DDS) and joystick mounted on suspended armrest

MULTI TOOL CARRIER

BOBCAT ATTACHMENTS

Get more versatility and efficiency with Bobcat® attachments and implements.

- Match performance to your Bobcat machine
- Work harder with stronger components and construction.
- Rest easy with the 12-month warranty on every genuine Bobcat attachment

	COMPACT MODELS		LARGE MODELS	
	TL26.60 • TL30.60 TL30.70	TL35.70 • TL34.65HF TL38.70HF		TL43.80HF
Floating pallet fork carriage 1 000 mm	•	•		•
Floating pallet fork carriage 1 500 mm	•	•		•
Rigid pallet fork carriage 1 220 mm	•	•		•
Digging bucket 780 l / 2 150 mm	•			
Digging bucket 800 l / 2 365 mm		•		•
Grapple bucket 1280 l / 2 200 mm	•			
Grapple bucket 1420 l / 2 450 mm		•		•
Fork grapple bucket 2 100 mm	•			
Fork grapple bucket 2 330 mm		•		•
Light material bucket 1 500 l / 2 100 mm	•			
Light material bucket 2 000 l / 2 300 mm	•	•		
Light material bucket 2 500 l / 2 450 mm		•		•
Light material bucket 3 000 l / 2 450 mm		•		•
Light material bucket 3 500 l / 2 450 mm				•
Bale handler with tines	•	•		•
Bale handler with tubes	•	•		•
Bale spikes	•	•		•
Crane jib	•	•		•



Bale handler with tubes



AUTO GRAB

No need to keep your thumb on the roller to open or close the grapple bucket or any kind of clamp attachment. Instead, simply over-press the roller and the action is carried out automatically.



JOB MANAGER

The Job Manager functionality allows the operator to save and recall custom settings for different attachments to quickly work with the best machine settings.



Bale handler with tines



Grapple bucket



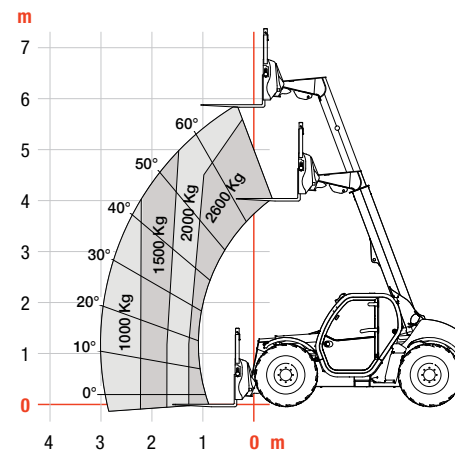
Light material bucket

SPECIFICATIONS

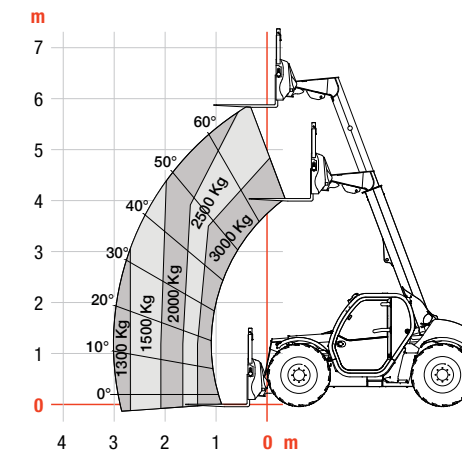
SPECIFICATIONS							
	COMPACT MODELS			LARGE MODELS			
PERFORMANCE	TL26.60	TL30.60	TL30.70	TL35.70	TL34.65HF	TL38.70HF	TL43.80HF
Maximum lift capacity	2 600 kg	3 000 kg	3 000 kg	3 500 kg	3 400 kg	3 800 kg	4 300 kg
Maximum lift height (24" tires)	5.9 m		6.8 m	7.0 m	6.4 m	7.0 m	7.5 m
Maximum forward reach (24" tires)	3.0 m		3.9 m	3.9 m	3.3 m	3.9 m	4.0 m
Crowding force	4 600 kg	4 600 kg	4 600 kg	6 200 kg	6 200 kg	6 200 kg	7 000 kg
MASS							
Machine mass (unladen & standard tires)	4 840 kg	5 260 kg	5 564 kg	7 215 kg	6 445 kg	7 330 kg	7 985 kg
Max towable mass with trailer braking system	17 000 kg			19 000 kg			
ENGINE							
Make / model / Emission stage	BOBCAT / D34 / Stage V						
Number of cylinders / Displacement	4 cylinders/ 3.41 l						
Rated power (ISO 14396)	74 kW (100 hp)			101 kW (135 hp)			
Maximum Torque at 1400 RPM	430 Nm			500 Nm			
DIMENSIONS							
Standard tires	Alliance 400/70 R20 A580			Alliance 460/70 R24 A580			
Overall width	2 100 mm			2 370 mm			
Overall length to forks face	4 507	4 507	5 056	4 869	4 669	4 869	4 975
Overall height (with roof wiper)	with Low mounted Cab 2 140 mm (20" tires) / 2 225 mm (24" tires) with High mounted Cab: 2 290 mm (20" tires) / 2 375 mm (24" tires)			2 373 mm (20" tires) 2 457 mm (24" tires)		2 457 mm	
Ground clearance with 24" tires	348 mm			430 mm			
Wheelbase	2 820 mm			2 870 mm			
External turning radius (with standard tires)	3 717 mm			3 714 mm			
DRIVE SYSTEM							
Transmission	Continuous variable Hydrostatic transmission with electronic regulation & 4 wheel drive						
Main drive	Hydrostatic motor			Hydrostatic motor + 2 speed gearbox			
Number of speeds (forward and backward)	2			4			
Max speed High range with 24" tires	40 km/h						
Steering modes	4 steering modes with automatic wheel realignment 2 wheel steering / 4 wheel steering / Crab-steer / Semi-crab steer (optional)						
HYDRAULIC SYSTEM							
Pump type	Gear pump with LS valve			LS piston pump with electric displacement limiter			
Valve bank	Open center with flow sharing & flow compensators technology			Close center with flow sharing & flow compensators technology			
Max pump capacity	100 l/min			190 l/min			
Max working pressure	250 bar			255 bar			
Max Flow output at front auxiliary output	90 l/min			100 l/min	150 l/min		
Max Flow output at rear auxiliary output	20 l/min			100 l/min	150 l/min		
BRAKING SYSTEM							
Service brake	Oil-immersed discs						
Parking and emergency brake	Passive brake with automatic actuation						
FLUID CAPACITIES							
Fuel	115 l			138 l			
AdBlue	22.4 l			28.8 l			
Hydraulic	87 l			105 l	126 l		
BOOM CYCLE TIMES							
Boom raising	5.3 s	5.3 s	5.3 s	8 s	4.9 s	4.9 s	6.5 s
Boom lowering	4 s	4 s	4 s	6 s	4.3 s	4.3 s	5 s
Boom extension	5 s	6.3 s	7.1 s	3.8 s	4.8 s	5 s	
Boom retraction	3.6 s	4.2 s	6.5 s	3.7 s	4.9 s	4.5 s	
Crowding	2.5 s	2.5 s	3 s	2.3 s	2.3 s	2.3 s	
Dumping	2.4 s	2.4 s	2.7 s	2.5 s	2.5 s	2.5 s	

COMPACT MODELS

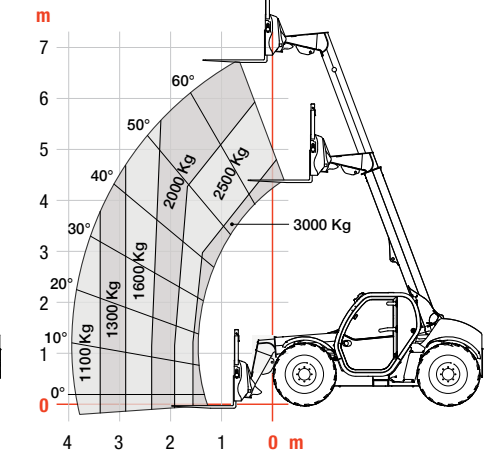
▶ TL26.60



▶ TL30.60

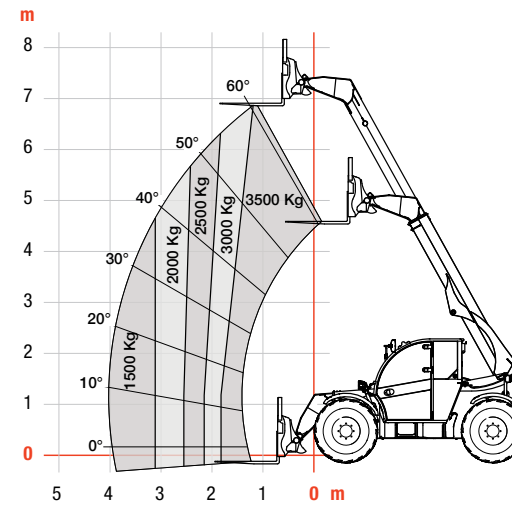


▶ TL30.70

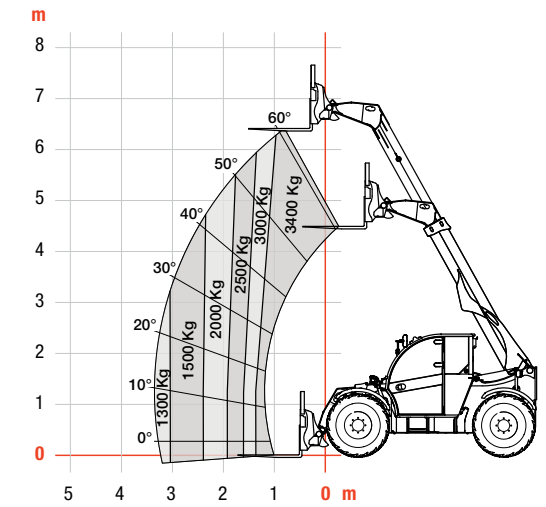


LARGE MODELS

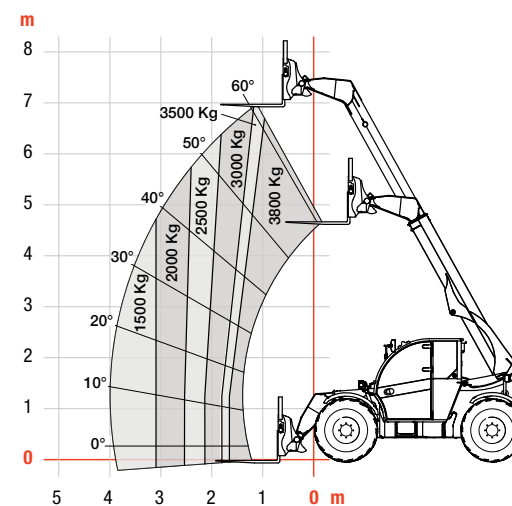
▶ TL35.70



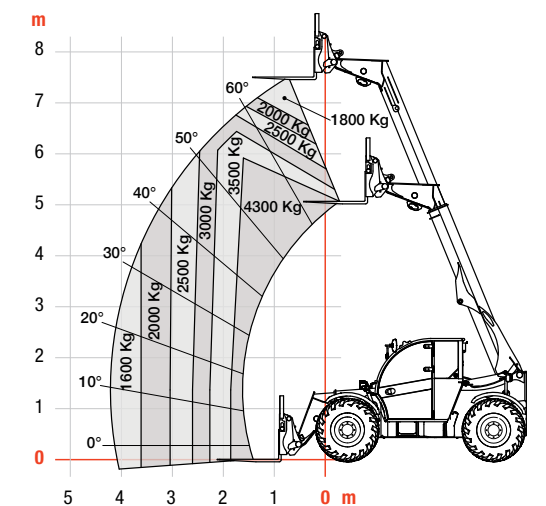
▶ TL34.65HF



▶ TL38.70HF



▶ TL43.80HF



FINANCING OPTIONS

24, 36, OR 48 MONTH FINANCING*

Take advantage of 24, 36 or 48 month financing programs starting from **0% interest** and improve your cashflow. Ask your dealer for the financing offers available.

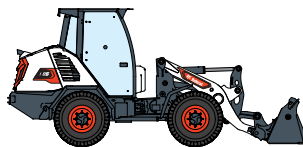
100 MACHINES / 150 ATTACHMENT FAMILIES / 1 TOUGH ANIMAL



**SKID STEER
LOADERS**



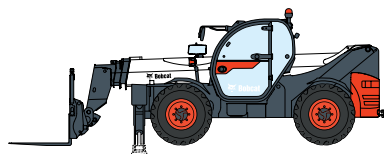
**COMPACT TRACK
LOADERS**



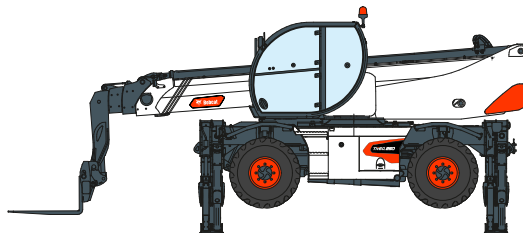
**COMPACT WHEEL
LOADERS**



**SMALL ARTICULATED
LOADERS**



TELEHANDLERS



**ROTARY TELESCOPIC
HANDLERS**



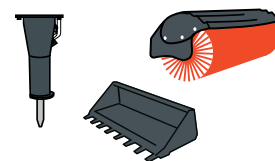
**LIGHT COMPACTION
EQUIPMENT**



**MINI TRACK
LOADER**



COMPACT EXCAVATORS



ATTACHMENTS



www.bobcat.com

Bobcat is a Doosan Company. Doosan is a global leader in construction equipment, power & water solutions, engines, and engineering proudly serving customers and communities for more than a century. | Bobcat and the Bobcat logo are registered trademarks of Bobcat Company in the United States and various other countries. ©2021 Bobcat Company. All Rights Reserved.

©2021 BOBCAT B4501941-EN (08-21)



Bobcat®

*Financing options may vary by country and dealer. Always ask your dealer about currently available financing options. Terms and conditions may apply.

Doosan Bobcat EMEA, U Kodelky 1810, 263 12 Dobříš, Czech Republic

